



# The Next Necessity™

## Instant Hot Water Dispensers



### H-Contour-SS

The original instant hot water dispenser with easy-to-twist handle, redesigned



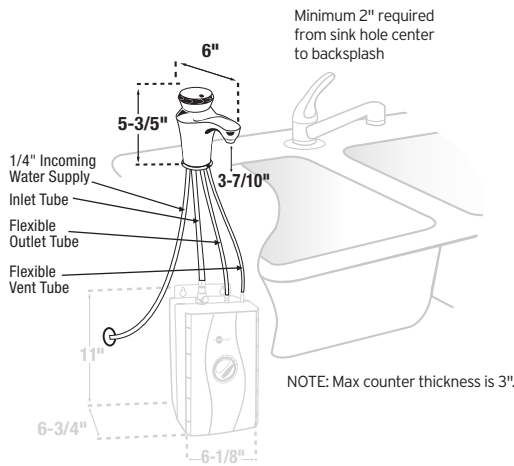
### Submittal Sheet

- **Hot Only** - Dispenses near-boiling 200°F water
- Includes 2/3-gallon hot water tank
- Easy to adjust temperature control
- Tool-free tank connections and dry start protection to ease installation
- Provides 60 cups/hr of near-boiling water
- *We Come To You®* 3-Year In-Home Limited Warranty\*
- 115 volts, 750 watts, 6.25 amps
- Available in chrome

### Specifications

Capacity	2/3-gallon hot water tank dispenses 60 cups of 200°F water per hour
Electrical	115 volts A.C., 750 watts, 6.25 amp heating element with grounded three (3) prong plug
Thermostat	Snap-action, adjustable from 160°F to 210°F (factory pre-set at 200°F)
Insulation	Meets U.L. 94HF-1 flammability specification
Valve	Instant, self-closing
Recommended Supply Pressure	30-125 psi
Shipping Weight	Approximately 7.4 lbs.
Required Hole Diameter	1-1/4" - 1-1/2" standard sink hole

### Dimensions



### Sample Specification

Instant hot water dispenser(s) shall be InSinkErator Model H-Contour-SS with 2/3-gallon hot water tank, adjustable temperature from 160°F to 210°F and instant, self-closing hot valve.

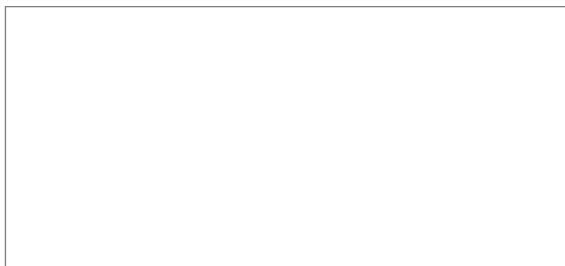
**Warranty:**  
3-year parts and in-home service.

\* The complete InSinkErator warranty is included in the Care & Use booklet packed with each unit.

US Patent Pending (tank enclosure)

Water Filtration System Available

### Job Specifications



Complies with California Lead Plumbing Law

USA  
1-800-558-5700  
www.insinkerator.com

Canada  
1-800-558-5700  
www.insinkerator.ca



The Emerson logo is a trademark and a service mark of Emerson Electric Co. InSinkErator may make improvements and/or changes in the specifications at any time, in its sole discretion, without notice or obligation and further reserves the right to change or discontinue models.

©2013 InSinkErator, a business unit of Emerson Electric Co. All Rights Reserved.