

PROJECT: _____

ITEM NO.: _____

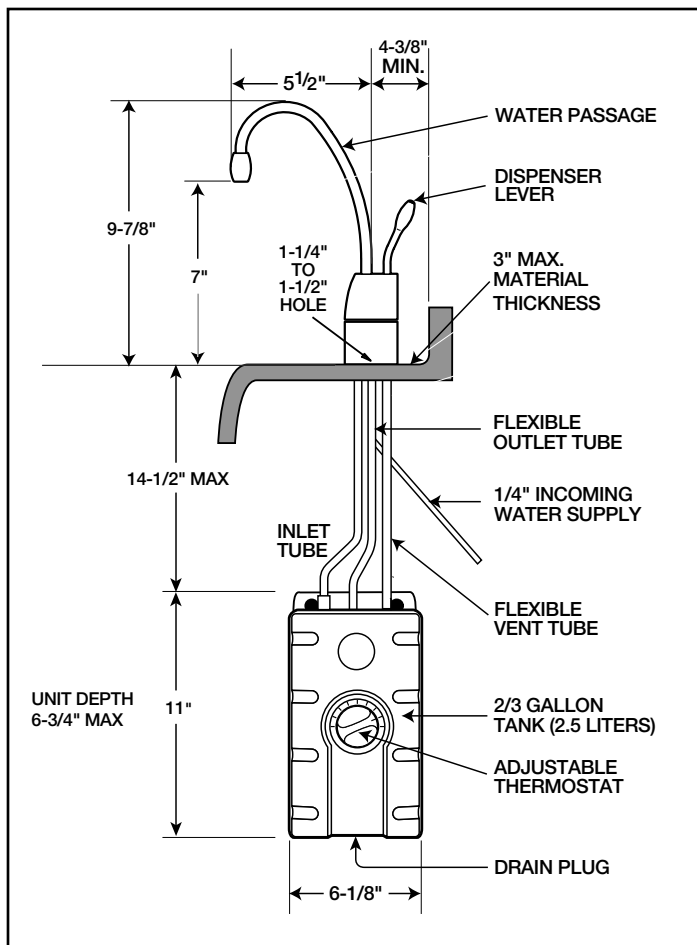


APPLICATION: Designed for large volume usage of steaming hot water. Up to 100 cups of 200° hot water per hour are provided by the system's 2/3 gallon tank. Saves time, work and water — you only heat the water you use.

MODEL C1300 Hot Water Dispenser

FEATURES

- Foodservice grade heating element provides 100 cups of near-boiling water per hour
- Swiveling gooseneck spout travels 90° to provide clearance for large vessels
- Easy-action lever with automatic shut-off
- Durable all brass faucet with polished chrome finish
- 2/3 gallon Stainless Steel Tank construction for longer life
- Easy-to-adjust temperature control on front panel
- Mounts in standard sink opening or 1-1/4" drilled hole
- Tool-free tank connections and dry start protection for easy installation
- 1-year full warranty on parts and labor



SPECIFICATIONS

Capacity	2/3 gallon tank dispenses 100 cups of 200°F water per hour
Electrical	120 volts A.C., 1300 watts, 10.8 amp heating element with 36" cord and grounded plug
Thermostat	Snap action, adjustable from 160°F to 210°F (factory pre-set at approximately 200°F)
Insulation	Meets U.L. 94HF-1 flammability specification
Valve	Instant, self-closing
Recommended Supply Pressure	30-125 psi
Shipping Weight	Approximately 11.5 lbs.

To ensure optimum performance, maximum distance between tank and dispenser head should be 16" or less



4700 21st STREET
RACINE, WI 53406
TEL: 800-845-8345
FAX: 262-554-3620

www.insinkerator.com



The Emerson logo is a trademark and a service mark of Emerson Electric Co.

